

Features:

- Universal AC input (90~264Vac)
- Built-in active PFC function, PF>0.96
- Using ZVS technology to reduce power dissipation
- Built in Fan speed control and over temp. protection
- Built in AC inrush current limiting circuit(<20A)
- Build in constant current limiting circuit
- Built in Remote Sense Function
- Build in DC OK signal
- Wide operating ambient temperature (-30℃~70℃)
- Output protection: OLP/OVP/SCP/OTP
- PCB soldering side with conformal coating
- 1 U low profile, 41mm
- 3 years warranty

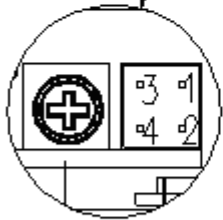
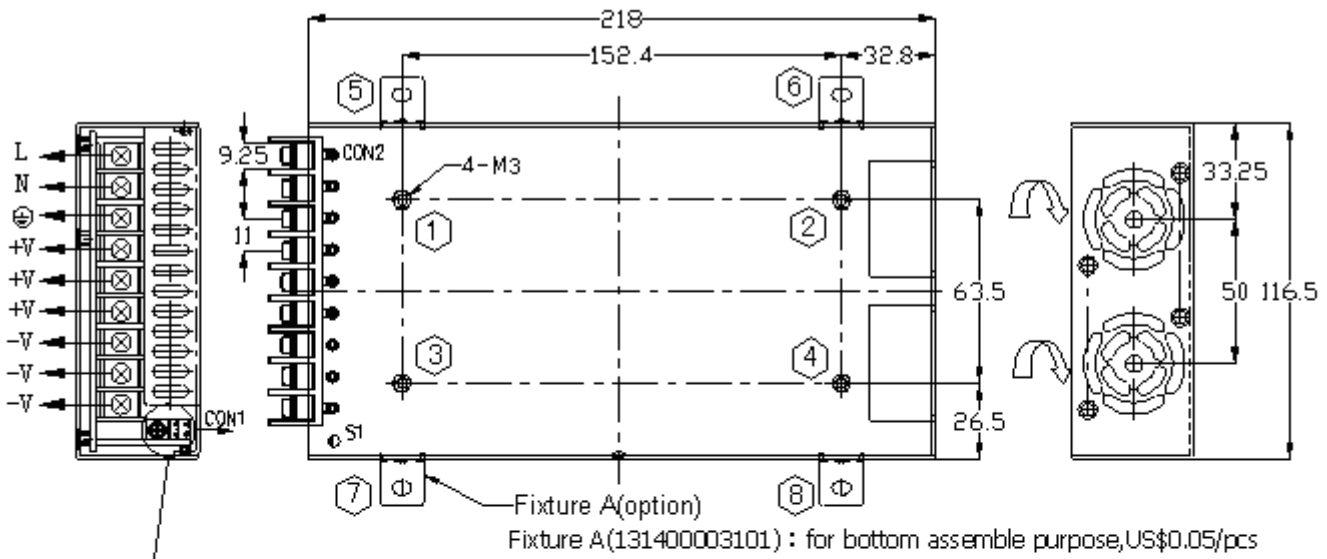

SPECIFICATION

MODEL		PDF-600-12	PDF-600-24	PDF-600-36	PDF-600-48	
OUTPUT	DC Output	12V	24V	36V	48V	
	Rated Current	42A	26.5A	17.5A	13.6A	
	Current range	0~42A	0~26.5A	0~17.5A	0~13.6A	
	Ripple and Noise	0-70℃	≤150mV	≤150mV	≤150mV	≤200mV
		Note 2 -30℃	≤150mV	≤150mV	≤150mV	≤200mV
	Voltage ADJ. Range	11.5~12.8V	21~27V	33~38V	40~52V	
	Voltage Accuracy	±5.0%	±1.0%	±1.0%	±1.0%	
	Line Regulation	±0.5%	±0.5%	±0.2%	±0.5%	
	Load Regulation	±2.0%	±1.0%	±0.5%	±1.0%	
	Set-up Time	≤3S /220Vac input, Full load) ; ≤5S /115Vac input, Full load)				
	Hold up Time	≥10mS / (220Vac input, Full load)				
	Temperature Coefficient	±0.05%/℃				
	Overshoot and Undershoot	<5.0%				
INPUT	Voltage Range	90Vac~264Vac				
	Frequency Range	47Hz~63Hz				
	Power Factor(Typical)	PF≥0.96/230VAC		PF≥0.98/115VAC (Full Load)		
	Efficiency (Typical) @220Vac	84%	89%	90%	90%	
	AC Current (max.)	7A/115VAC, 5A/230VAC				
	Inrush Current (Typical)	<20A@230Vac Cold start				
	Leakage Current	Input—output: < 0.25mA@264Vac ; Input—PG: ≤1mA/240VAC				
PROTECTION	Over Load	46.2~56.7A	29.15~35.775A	19.25~23.625A	14.96~18.36A	
		Protection type: Constant current, auto recovery				
	Over Temperature	105℃+5℃(detect on Mosfet temperature);shut down,auto recovery after the temperature goes down to 75℃				
	Over Voltage	13.2~15.6V	27.6~36V	41.4~48.6V	52.8~72V	
Protection type: Constant voltage						
Short Circuit	Long-term mode, constant current, auto recovery					
ENVIRONMENT	Operating amb. Temp. & Hum.	-30℃~70℃; 20%~90%RH No condensing (refer to derating curve)				
	Storage Temp. & Hum.	-40℃~85℃; 10%~95%RH No condensing				
SAFETY & EMC (Note 3)	Safety Standards	UL60950-1 ; EN62368-1				
	Withstand Voltage	Primary-Secondary:3.0KVac/10mA .Primary-PG:1.5KVac/10mA. Secondary-PG:0.5KVdc/10mA.				
	Isolation Resistance	100M ohms				
	EMI Conduction&Radiation	Compliance to EN55032, EN55024, FCC PART 15 CLASS B				
	Harmonic Current	Compliance to EN61000-3-2, class D				
EMS Immunity	Compliance to EN61000-4-2,3,4,5,6,8,11;					
OTHERS	MTBF (MIL-HDBK-217F)	More than 200,000Hrs (25℃, Full load)				
	Dimension (L*W*H)	12V: 226×116.5×41mm; others: 218×116.5×41mm				
	Packing	6PCS/CTN, 8.7KGS, 0.04CBM				

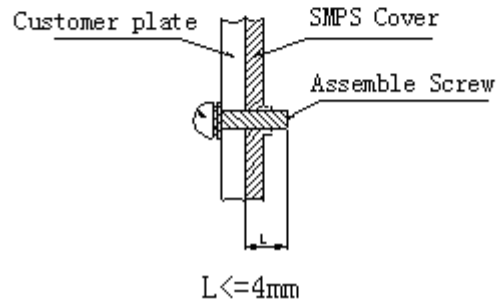
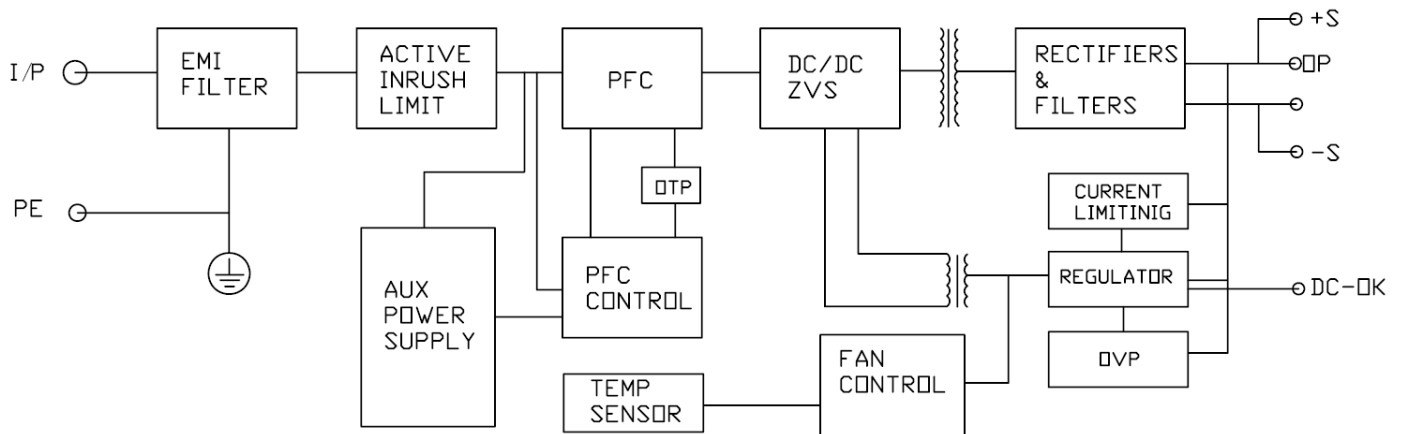
	DC OK signal	4~6V
	Cooling method	Forced air cooling(Fan speed controlled by load and internal temperature)
NOTE	<ol style="list-style-type: none">1. All parameters NOT specially mentioned are measured at rated input, rated load and 25℃ of ambient temperature.2. Measured at 20MHz of bandwidth by using a 12" twisted pair-wire terminated with a 0.1 uF & 47uF parallel capacitor.3. The power supply is considered as a component which will be installed into a final equipment. The final equipment must be re-confirmed that it still meets EMC directives. For guidance on how to perform these EMC tests, please refer to "EMI testing of component power supplies" on http://www.powerld.com.cn.	

Mechanical Specification

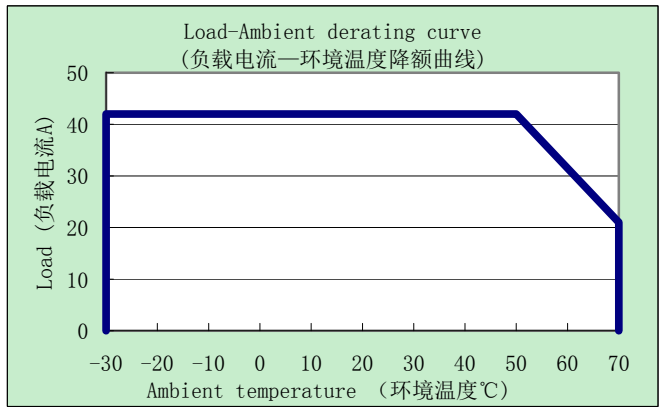
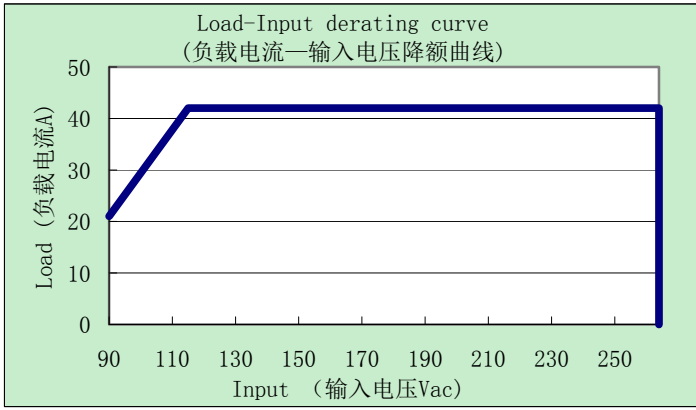
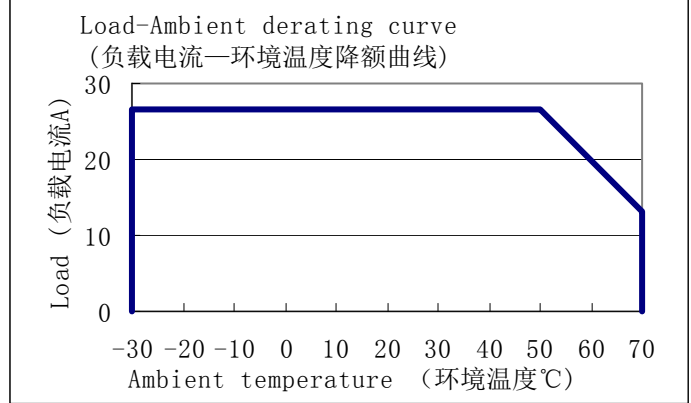
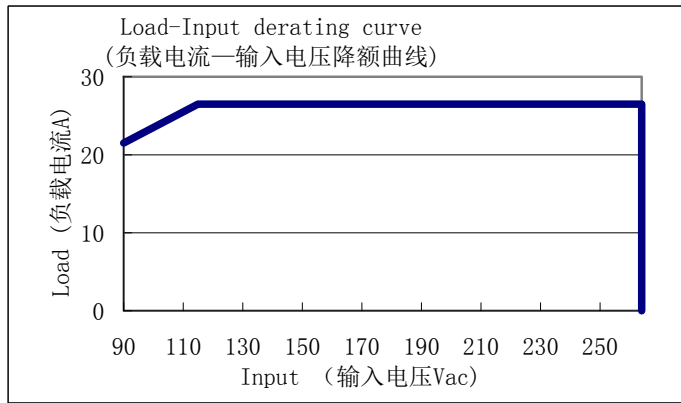
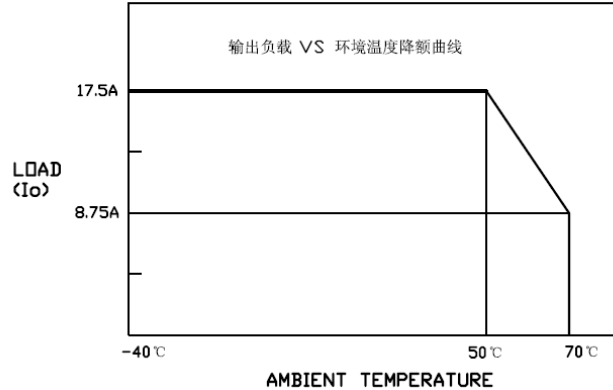
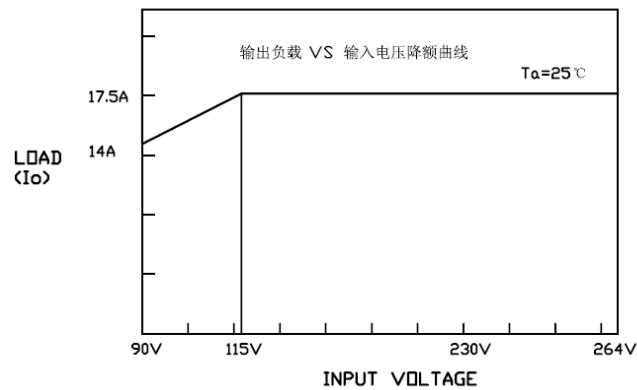
Unit:mm



Position	Function
1	+S(Remote Sense)
2	-S(Remote Sense)
3	DC-OK
4	GND


Block Diagram

Derating curve

PDF-600-12:


PDF-600-24:

PDF-600-36:

PDF-600-48:
