

# Product Specification



# Content

I. General .....	3
II. Model and name .....	3
III. Schematics system subrack .....	3
IV. Environmental Conditions .....	4
V. Electrical Characteristics .....	5
1、Input Characteristics .....	5
VI. Safety & EMC .....	5
VII. Mechanical Characteristics and Connector Definition .....	5
VIII. Packing List .....	7
IX. Packaging, transportation, storage .....	7
X. Remarks .....	7
XI. Label .....	8

## I . General

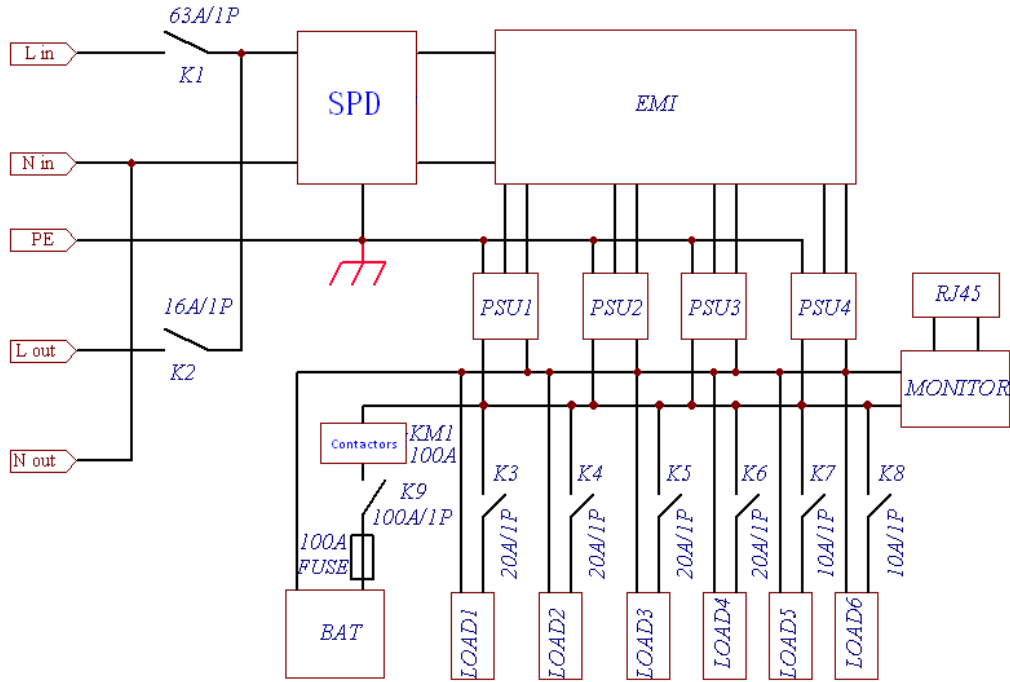


- Input range 90-286Vac
- Have PFC function,  $PF \geq 0.99$
- It features input over/under voltage protection, output over current protection, output overvoltage protection, output short circuit protection
- Wide operating temperature range (-30 °C ~ 55 °C)
- System with battery management, power system monitoring, configure the sensor can achieve environmental monitoring, can provide RS485 (optional) communications can take the initiative to report alarms, easy to implement remote monitoring and unattended
- High efficiency, long life and high reliability

## II . Model and name

Name	Model	Remarks
Embedded power outlet box	AN4800	

## III. Schematics system subrack



Described below:

Plug the power supply system from the input terminal block box, the output terminal block, AC outlet, AC input breaker, AC output breaker, battery output open space, Load output open air, the signal terminals and structural shell components. By AC mains input terminals access, open space K1 after two routes output, one by air K2 open to the AC output terminals to provide users with AC; another pass after lightning and EMI filtering module into the rectifier module PSU1-PSU4, DC output rectifier after a 6-way power distribution units aggregated to the DC load power supply, 6 outputs, respectively, from the air control open K3-K8, respectively, Each provides users with overload and short circuit protection load. After the user's battery via contactors KM1 and open space K9 access the DC output side of the power supply system, Battery protection circuit breakers provide overload and short-circuit the battery protection. Front of the power supply system has a signal adapter plate, connecting sensors, input and output sections dry Point.

#### IV. Environmental Conditions

No.	Items	Technical Specifications	Unit	Remarks
1	Operating Temperature	-20 — +65	°C	-40°C full load start up, +55~+65°C derating 20% in linearity.
2	Storage Temperature	-40 — +70	°C	
3	Relative Humidity	5—95	%	No condensation
4	Altitude	0-5000	m	derate 1°C with every 200 meters' rising at 2000-5000m

## V. Electrical Characteristics

No.	Item	Technical Requirement	Unit	Remark
<b>1、 Input Characteristics</b>				
1. 1	Rated input voltage	200—240	Vac	Max AC input voltage 310VAC(static state),no damage to the unit for long time
	AC Input voltage range	90—290		
1. 2	Frequency	45—65 (typical 50/60)	Hz	
1. 3	AC input format	Single-phase three-wire		Can be used for 110Vac or 120Vac dual FireWire input

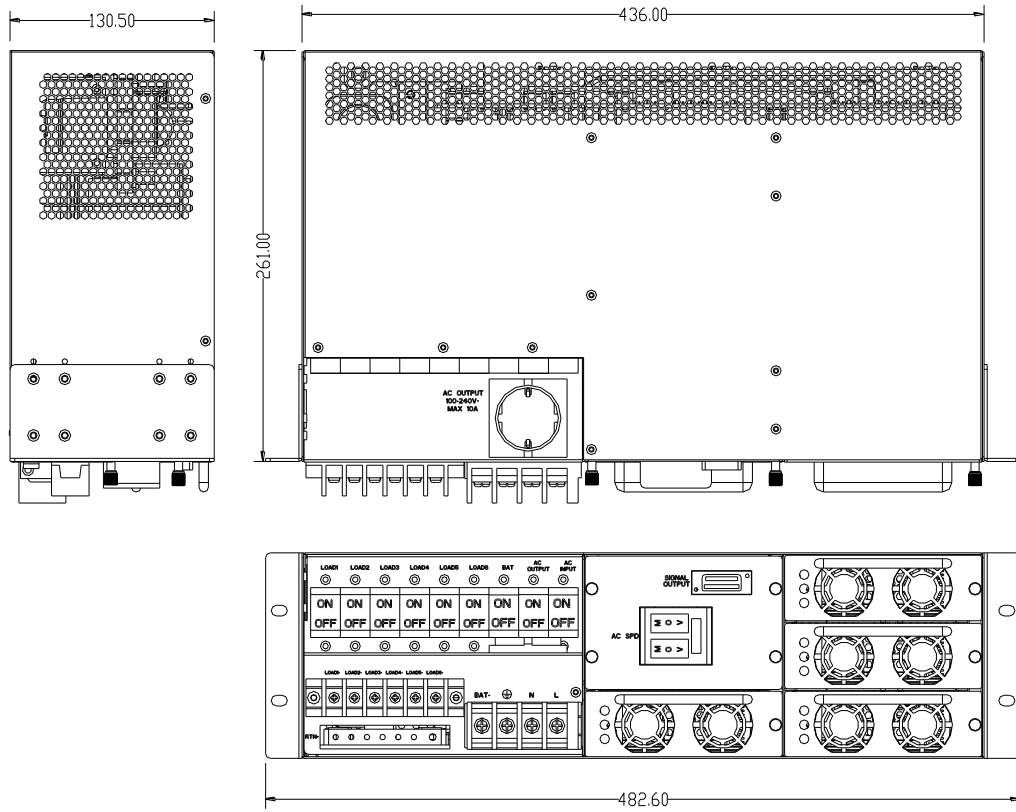
## VI. Safety & EMC

No.	Item	Criteria	Remark	
1	Dialectical strength	Input-output	4242Vdc/10mA/ 1min	No flyover, no breakdown.
		Input-ground	2121Vdc/10mA/ 1min	
		Output-ground	700Vdc/10mA/ 1min	
2	Isolation resistance	Input-output	$\geq 10M\Omega @500Vdc$	Under normal air pressure, humidity 90% ,
		Input-ground	$\geq 10M\Omega @500Vdc$	
		Output-ground	$\geq 10M\Omega @500Vdc$	
3	Touch current (Input-ground)	Warning large leakage current, power must be grounded before		
4	Ground Resistance	$\leq 0.1\Omega$		
5	Anti Lightning	The AC input terminal can endure surge current wave of 5kA、8/20 $\mu$ S , 5 times each for positive and negative , time cycle 1 minute. (refer to standard: YD 5098-2001 ). The module must pass anti-lighting test in power on condition and power off condition.		

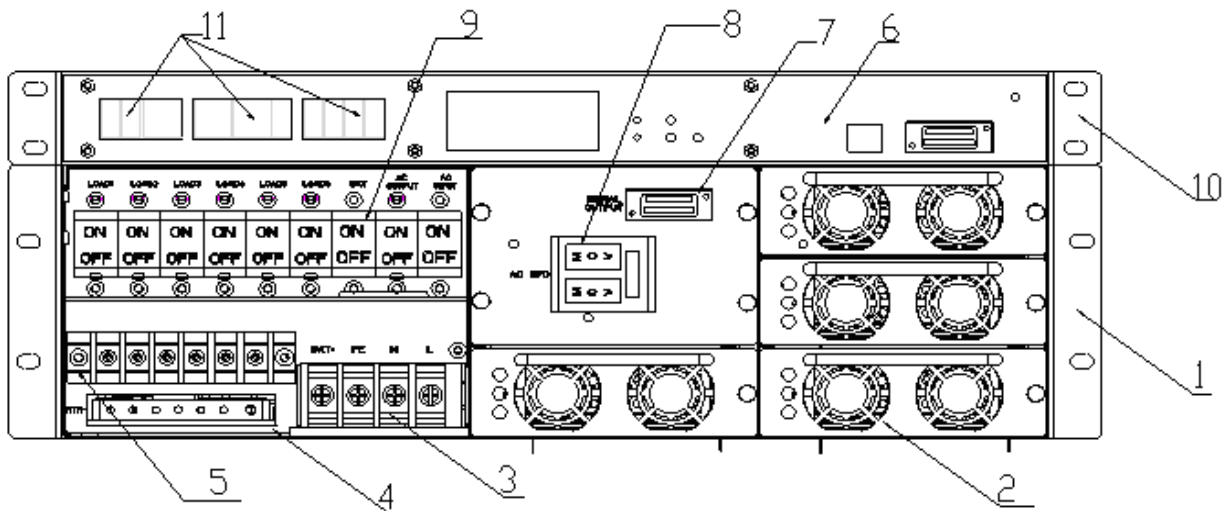
## VII. Mechanical Characteristics and Connector Definition

### 7.1 outline dimension (unit: mm)

L\*W\*H=482.6mm\*130.5mm\*261mm



## 7.2 Appearance



- |  |                        |
|--|------------------------|
| 1 Hangers 1                            | 2 1U module            |
| 3 Input terminal                       | 4 DC+                  |
| 5 DC-                                  | 6 1U monitoring module |
| 7 Signal output interface              | 8 SPD                  |
| 9 Breaker                              | 10 Hangers 2           |
| 11 Sensor input and dry contact output |                        |

## VIII. Packing List

Name	Num	Remarks
Power system subrack	1PCS	
False panel	N PCS	$0 \leq N \leq 4$
Hangers	2PCS	
Signal wiring	1PCS	connection between Monitoring and plug box
Communications cable	1PCS	RJ45 cable
M4 Countersunk head screws	16PCS	Size: M4*4

## IX. Packaging, transportation, storage

### 1 packaging

Rectifier module individually packaged

### 2 transport

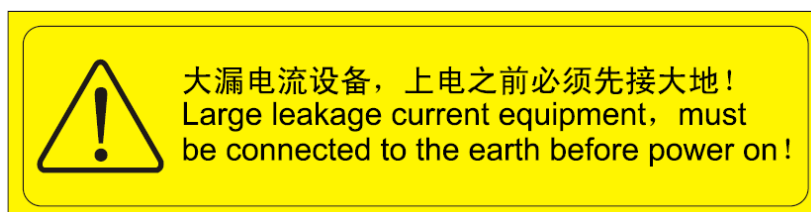
Adapted to the vehicle, ship, aircraft, should canopy, transportation loading and unloading sunscreen, civilization.

### 3 storage


The product when not in use should be placed in the package, the warehouse environment temperature of  $-40\text{ }^{\circ}\text{C}$   $+70\text{ }^{\circ}\text{C}$ , relative humidity is 5% - 95%, the warehouse are not allowed inside the harmful gases, flammable, explosive and corrosive chemical products, and no strong mechanical vibration, shock and strong magnetic field, packaging box should be at least 20cm pad off the ground, walls, windows or distance, heat air entrance at least 50cm, storage period in the specified conditions for the general 2 years, after more than 2 years should be re examined.

## X. Remarks

Warning large leakage current, power must be grounded before






## XI. Label

 开关电源Switching Power Supply  
型号MODEL:AN4800

---

输入INPUT:200-240Vac;50/60Hz;40A MAX  
输出OUTPUT:53.5V  $\text{---}$  80A  
OR  
输入INPUT:100-120Vac;50/60Hz;40A MAX  
输出OUTPUT:53.5V  $\text{---}$  40A

---

烽火通信科技股份有限公司  
Fiberhome Telecommunication Technologies Co.,LTD

中国制造  
MADE IN CHINA